

HYDREL

G2



**PATHWAY LIGHTING
LOUVER BOLLARD**

G2™ DESIGNS

- G2LBdome
- G2LBwedge





TAKING THE G2 LOOK TO A NEW LEVEL.

Hydrel's unique G2™ design signature finds expression again in a louvered bollard that is at once elegant, practical and virtually invulnerable to abuse.

Dome and wedge geometric forms complement the curves and angles of surrounding landscape and architecture, adding tasteful shape and texture to paths and stairways.

Die cast reflecting louvers eliminate glare, safeguard the lamp and optics, and project light at a wide angle for extended bollard spacing. The luminaire's mounting system allows perfect alignment and extraordinary rigidity, while high quality materials and finish render it impervious to environmental contaminants, corrosion and UV radiation.

G2 bollards are compatible with G2 building mounted and G2XTEND pole mounted lighting, so a singular look can begin at the building surface and extend out along paths, pedestrian gathering areas, and parking areas.

LEFT G2 bollards shown with Light Wash option, a subtle wash of light adding visual interest.

A remarkable blend of **DESIGN + PERFORMANCE** makes the G2™ bollard an excellent lighting solution for pathway applications. The bisecting sculptural forms agree with a range of building styles, coordinated landscapes and site design schemes. Light patterns are wide and pleasingly uniform.

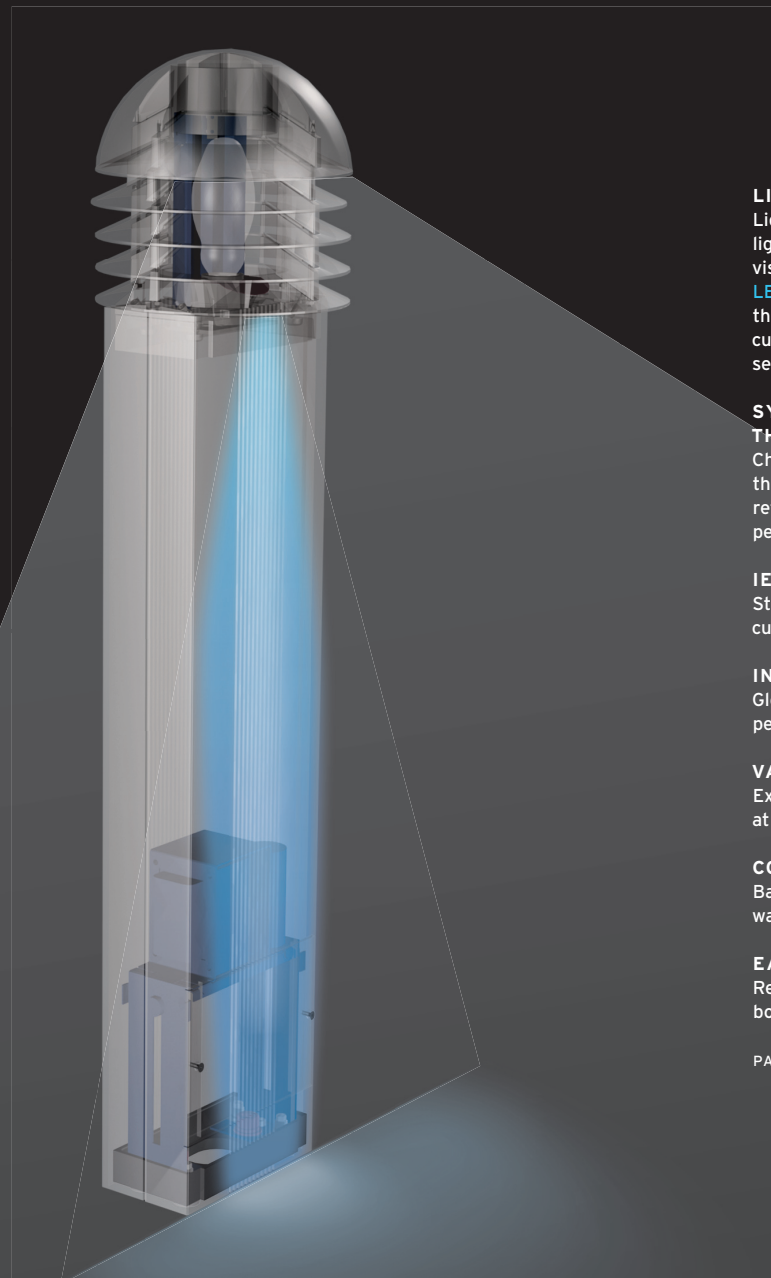
Structural integrity is unmatched, and the use of superior materials and long-lasting finish promises decades of use with minimal maintenance. Rugged reliability is a Hydrel trademark. Be assured, the G2 bollard is no exception.



Premium corrosion resistant materials and powder coated finishes shrug off UV radiation and environmental contamination. Even in corrosive coastal areas, the G2 bollard maintains its original appearance over many years of use.

G2 bollards offer symmetric or forward throw light patterns with backlight shielding. Directional light patterns can be independently aimed, allowing bollards to be aligned parallel or perpendicular to path and stairways.

Extensive testing assures that aggressive contact by pedestrians will not weaken or noticeably damage a G2 bollard.



LIGHT OPTIONS

Light Wash projects a subtle splash of light from the main light source, creating visual interest.

LED Color Wash adds vibrant color to the bollard creating an opportunity for customized applications. Choose from seven colors.



SYMMETRIC AND FORWARD THROW DISTRIBUTIONS

Choose 360° symmetric or forward throw distribution. Forward throw reflector redirects backlight, increasing performance by 50%.

IES CUTOFF AND REDUCED GLARE

Standard matte black finish on topside of louvers creates cutoff distribution and minimizes glare.

INCREASED EFFICIENCY

Gloss white finish on underside of louvers optimizes performance and increases pathway light levels.

VANDAL RESISTANT BASE

Extruded aluminum base is welded to cast aluminum plates at top and bottom for maximum structural integrity.

CONVENIENT BALLAST ACCESS

Ballast lift allows for easy component maintenance and wattage exchange.

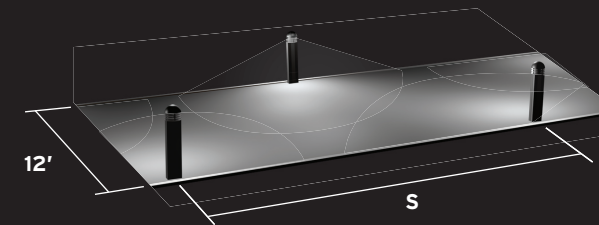
EASE OF INSTALLATION

Removable access door provides easy access to mounting bolts, levelers, and wire splice make-up.

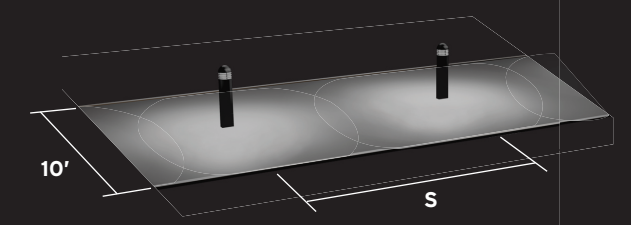
PATENTS PENDING

TYPICAL APPLICATIONS

STAGGERED ON 12' PATH



CENTERED ON 10' PATH



FORWARD FT DISTRIBUTION

LAMP	LUMENS	E MIN	E AVG	SPACING (S)
100HPS	8800	1.2 fc	6.2 fc	40 ft
100CMH	8800	1.0 fc	6.0 fc	40 ft
100MH	7900	0.9 fc	5.2 fc	40 ft
70HPS	5800	1.5 fc	5.5 fc	32 ft
70CMH	5800	1.4 fc	5.3 fc	32 ft
70MH	4700	1.1 fc	4.3 fc	32 ft
50HPS	3700	1.3 fc	4.3 fc	24 ft
50CMH	3800	1.2 fc	4.3 fc	24 ft
50MH	3200	1.0 fc	3.6 fc	24 ft
42TRT	3200	1.0 fc	3.3 fc	24 ft
32TRT	2400	1.1 fc	3.4 fc	20 ft
26DTT	1800	1.0 fc	2.8 fc	16 ft

SYMMETRIC SYM DISTRIBUTION

LAMP	LUMENS	E MIN	E AVG	SPACING (S)
100HPS	8800	1.2 fc	6.0 fc	22 ft
100CMH	8800	1.0 fc	5.9 fc	22 ft
100MH	7900	0.9 fc	5.3 fc	22 ft
70HPS	5800	1.4 fc	4.8 fc	18 ft
70CMH	5800	1.4 fc	4.8 fc	18 ft
70MH	4700	1.1 fc	3.8 fc	18 ft
50HPS	3700	1.2 fc	3.4 fc	16 ft
50CMH	3800	1.2 fc	3.5 fc	16 ft
50MH	3200	1.0 fc	2.9 fc	16 ft
42TRT	3200	0.9 fc	2.7 fc	16 ft
32TRT	2400	1.0 fc	2.4 fc	14 ft
26DTT	1800	1.0 fc	2.0 fc	12 ft

Notes:

1. For wider paths, decrease bollard spacing. For lower light levels, decrease lamp wattage.
2. To calculate maintained illuminance, multiply values by appropriate light loss factor.
3. HID bollard performance based on coated ED 17 lamps.
4. Values shown are for G2LBD 42". Please visit www.hydrrel.com for complete photometric data.

G2 LOUVER BOLLARD



CONCEPT

The G2 louver bollard continues Hydrel's G2™ design signature in a below-eye-level alternative for pedestrian site lighting. Dome or wedge top, textural louver element and rectilinear base provide a harmonious, minimal form agreeable with surrounding architecture and landscaping. The die-cast louvers assure superior lighting performance and protect lamp and optics from the elements. Optional Light Wash or LED Color Wash directs a subtle pool of light onto upper housing for enhanced nighttime delineation. To view and download product portraits, go to www.hydrel.com

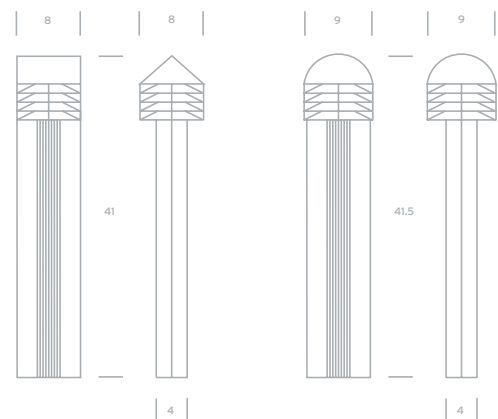
MATERIALS

Premium low copper content A360 alloy die cast aluminum top housings and louvers. Extruded and tempered aluminum base with internal cast aluminum mounting plates. Clear borosilicate glass lamp enclosure, silicone gasketed. Stainless steel fasteners.

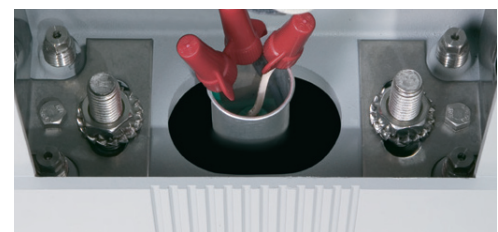
FINISH

TGIC polyester powder coated in a range of textured semi-matte gray tone or earth tone colors. Louvers are powder coated matte black on topside and gloss white on underside.

DIMENSIONS



RIGHT To ensure structural integrity, the G2 bollard avoids traditional set-screw mounting. Instead, a heavy duty cast aluminum mounting plate is internally welded to the base. Slotted anchor bolt holes and four easily accessible leveling pads allow the luminaire to be installed in perfect alignment. Anchor bolt information and installation instructions are available at www.hydrel.com.



ORDERING GUIDE

1 PRODUCT	2 HEIGHT	3 LAMPS	4 VOLTAGE	5 DISTRIBUTIONS	6 LIGHT OPTIONS	7 OPTIONS	8 LAMPING	9 FINISH
EX: G2LBD	42	100CM	277	FT	LWF/LWB	GFCI	LPIC	DNAT

1 PRODUCT

- G2LBD G2 LOUVER BOLLARD dome top
- G2LBW G2 LOUVER BOLLARD wedge top

2 HEIGHT

- 42 Nominal Overall Height, Inches
- 36 Nominal Overall Height, Inches

3 LAMPS - U.S.

- Lamp included with bollard as standard feature
- 100CM Ceramic MH, Coated E17, Medium Base
- 100M MH, Coated E17, Medium Base
- 70CM Ceramic MH, Coated E17, Medium Base
- 70M MH, Coated E17, Medium Base
- 50CM Ceramic MH, Coated E17, Medium Base
- 50M MH, Coated E17, Medium Base
- 70CMT6^a Ceramic MH, Clear T6, G12 Base
- 39CMT6^a Ceramic MH, Clear T6, G12 Base
- 100S HPS, Coated E17, Medium Base
- 70S HPS, Coated E17, Medium Base
- 50S HPS, Coated E17, Medium Base

- 42TRT CFL, Triple Tube, 4-Pin Base
- 32TRT CFL, Triple Tube, 4-Pin Base
- 26DTT CFL, Twin Tube, 4-Pin Base

LAMPS - INTERNATIONAL

- Lamp included with bollard as standard feature
- 100CM Ceramic MH, Coated Elliptical, E27 Base
- 100M MH, Coated Elliptical, E27 Base
- 70CM Ceramic MH, Coated Elliptical, E27 Base
- 70M MH, Coated Elliptical, E27 Base
- 70CMT6^a Ceramic MH, Clear T6, G12 Base
- 35CMT6^a Ceramic MH, Clear T6, G12 Base

- 70S HPS, Coated Elliptical, E27 Base

- 42TRT CFL, Triple Tube, 4-Pin Base
- 32TRT CFL, Triple Tube, 4-Pin Base
- 26DTT CFL, Twin Tube, 4-Pin Base

4 VOLTAGE

- 120 60HZ
- 208 60HZ
- 240 60HZ
- 277 60HZ
- 347 60HZ
- 120/277 60HZ
- TB 60HZ, Multi-Tap, 120/208/240/277V
- MVOLT^b 60HZ/50HZ, Auto-Setting 120-277V

- 22050HZ 50HZ
- 23050HZ 50HZ
- 24050HZ 50HZ

5 DISTRIBUTIONS

- SYM Symmetric
- FT Forward Throw

6 LIGHT OPTIONS Bollard Front

- LWF Light Wash Front
- LEDAF LED Color Wash Amber Front
- LEDBF LED Color Wash Blue Front
- LEDGF LED Color Wash Green Front
- LEDRF LED Color Wash Red Front
- LEDCWF LED Color Wash Cool White Front
- LEDWWF LED Color Wash Warm White Front
- LEDRYF LED Color Wash Royal Blue Front

LIGHT OPTIONS Bollard Back

- LWB^c Light Wash Back
- LEDAB LED Color Wash Amber Back
- LEDBB LED Color Wash Blue Back
- LEDGB LED Color Wash Green Back
- LEDRB LED Color Wash Red Back
- LEDCWB LED Color Wash Cool White Back
- LEDWWB LED Color Wash Warm White Back
- LEDRYB LED Color Wash Royal Blue Back

7 OPTIONS

- DCT Dual Circuit, for separate switching of LED Color Wash
- SF Single Fuse, Inline, 120/277/347V
- DF Double Fuse, Inline, 208/240V
- GEB Electronic Ballast, for MH lamps only
- DR Duplex Receptacle, located 12" above bollard base
- GFCI GFCI Receptacle, located 12" above bollard base

8 LAMPING

- LPI Lamp Included, for Clear T6 MH or CFL lamps
- LPIC Lamp Included, for Coated E17 & Elliptical lamps

9 FINISH-STANDARD

- DBLB Black, Textured, Semi-matte
- DSPD Dark Gray, Textured, Semi-matte
- DNAT Natural Alum, Textured, Semi-matte
- DWHG White, Textured, Semi-matte
- DDBT Dark Bronze, Textured, Semi-matte
- DSPF Rust, Textured, Semi-matte
- DSSST Sandstone, Textured, Semi-matte
- CS Custom Finish, Contact Factory

FINISH-OPTIONAL

- PL Painted Louvers to match bollard finish (Topside matches bollard finish; underside finished gloss white. Higher louver brightness with this option.)
- To Order: First... Select bollard finish: DNAT (Natural Alum)
Next... Add the optional louver finish designator: DNAT / PL

NOTES

- a. Glass enclosure is frosted when T6 lamp is selected.
- b. MVOLT is standard on all CFL lamp models and MH lamp models using GEB Electronic Ballast option.
- c. LWB Light Wash Back is not available with FT Forward Throw distribution.

CERTIFICATIONS

UL | CUL Listed Wet Locations • I.E.S. Cutoff • IP65 Rated

HYDREL



DESIGNS SUBJECT TO CHANGE WITHOUT NOTICE. PATENTS PENDING.



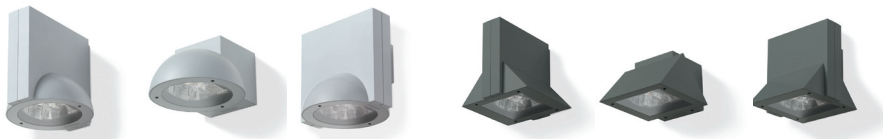
HYDREL



12881 Bradley Avenue, Sylmar, CA 91342
T 818.362.9465 F 818.362.6548
E-mail: custserv@hydrel.com
www.hydrel.com

An **AcuityBrands** Company

compatible G2™ building mounted luminaires



compatible G2XTEND pole mounted pedestrian site lighting luminaires

